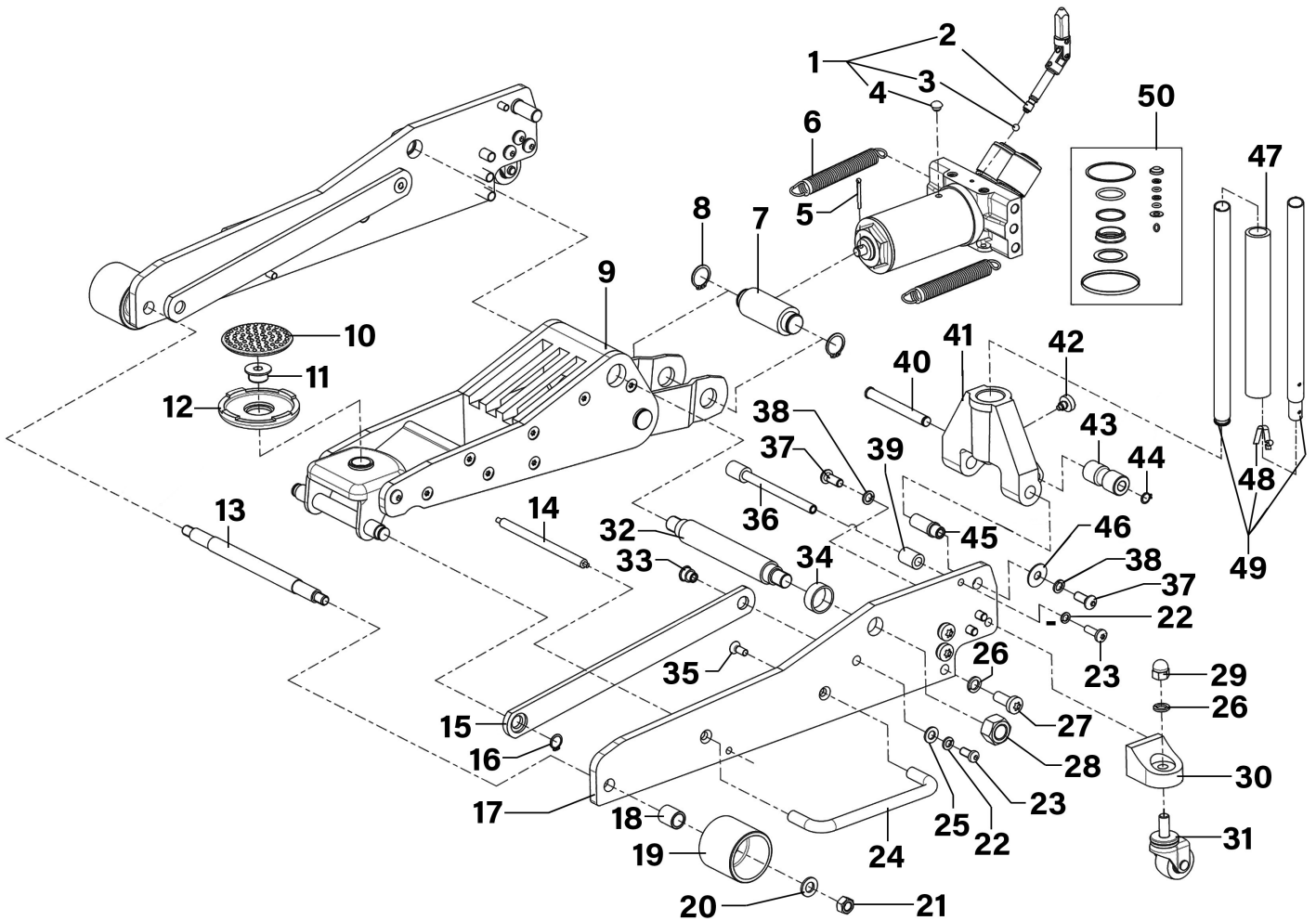


Parts Information:
**Trolley Jack 2.5 Tonne Low Profile
 Aluminium Rocket Lift
 Model No: RJA2500.V4**



| Item | Part No. | Description | Qty |
|------|---------------|---------------------------------|-----|
| 1 | RJA2500-V4-01 | Hydraulic Unit Assembly | 1 |
| 2 | RJA2500-V4-02 | Release Valve Assembly | 1 |
| 3 | SB-6.0 | Steel Ball 6.0mm | 1 |
| 4 | RJA2500-V4-04 | Oil Filler Plug | 1 |
| 5 | RJA1550-V3-05 | Spring Pin M4 x 45mm | 1 |
| 6 | RJA2500-V4-06 | Return Spring | 2 |
| 7 | RJA2500-V4-07 | Connecting Rod | 1 |
| 8 | RJA2500-V4-08 | External Circlip Ø25mm | 2 |
| 9 | RJA2500-V4-09 | Lifting Arm Assembly | 1 |
| 10 | JP15 | Safety Rubber Jack Pad - Type B | 1 |
| 11 | RJA2500-V4-11 | Saddle Pin | 1 |
| 12 | RJA2500-V4-12 | Saddle | 1 |
| 13 | RJA2500-V4-13 | Front Wheel Axle | 1 |
| 14 | RJA2500-V4-14 | Positioning Rod | 1 |

| Item | Part No. | Description | Qty |
|------|---------------|--|-----|
| 15 | RJA2500-V4-15 | Radius Link | 2 |
| 16 | RJA2500-V4-16 | External Circlip Ø16mm | 2 |
| 17 | RJA2500-V4-17 | Side Frame | 2 |
| 18 | RJA2500-V4-18 | Front Wheel Bush | 2 |
| 19 | RJA2500-V4-19 | Front Wheel | 2 |
| 20 | FWM12.S | Flat Washer M12 Zinc | 2 |
| 21 | SN12.S | Steel Nut M12 Zinc | 2 |
| 22 | SWM8.S | Spring Washer M8 Zinc | 4 |
| 23 | RJA2500-V4-23 | Button Head Socket Screw M8 x 25 | 4 |
| 24 | RJA2500-V4-24 | Carry Handle | 2 |
| 25 | FWM8.S | Flat Washer M8 Zinc | 2 |
| 26 | SWM12.S | Spring Washer M12 Zinc | 8 |
| 27 | BHSS1225.S | Button Head Socket Screw M12 X 25 Zinc | 6 |

NOTE: It is our policy to continually improve products and as such we reserve the right to alter data, specifications and component parts without prior notice. There may be alternative versions of this product, please contact us should you require this information.

IMPORTANT: No liability is accepted for incorrect use of product. Spare parts must be fitted by a competent person

WARRANTY: Guarantee is 12 months from purchase date, proof of which will be required for any claim.



Parts Information:
**Trolley Jack 2.5 Tonne Low Profile
Aluminium Rocket Lift
Model No: RJA2500.V4**

| Item | Part No. | Description | Qty |
|------|---------------|---|-----|
| 28 | SN18.S | Steel Nut M18 Zinc | 2 |
| 29 | SN12.SD | Steel Nut M12 Domed Zinc | 2 |
| 30 | RJA2500-V4-30 | Rear Castor Bracket | 2 |
| 31 | RJA2500-V4-31 | Rear Castor Assembly | 2 |
| 32 | RJA2500-V4-32 | Support Shaft | 1 |
| 33 | RJA2500-V4-33 | Radius Link Pin | 2 |
| 34 | RJA2500-V4-34 | Bush for Support Shaft | 2 |
| 35 | MSC820.S | Csk Phillips Machine Screw M8 X 20 Zinc | 4 |
| 36 | RJA2500-V4-36 | Limit Rod | 1 |
| 37 | BHSS1025.S | Button Head Socket Screw M10 X 25 Zinc | 8 |
| 38 | SWM10.S | Spring Washer M10 Zinc | 8 |

| Item | Part No. | Description | Qty |
|------|---------------|--------------------------------|-----|
| 39 | RJA2500-V4-39 | Nylon Sleeve | 2 |
| 40 | RJA2500-V4-40 | Handle Socket Pin (for Roller) | 1 |
| 41 | RJA2500-V4-41 | Handle Socket | 1 |
| 42 | RJA2500-V4-42 | Handle Socket Screw M10 x 19mm | 1 |
| 43 | RJA2500-V4-43 | Handle Socket Roller | 1 |
| 44 | RJA2500-V4-44 | External Circlip Ø12mm | 1 |
| 45 | RJA2500-V4-45 | Handle Socket Pin | 2 |
| 46 | RJA2500-V4-46 | Large Washer M10 | 2 |
| 47 | RJA2500-V4-47 | Handle Protection Foam | 1 |
| 48 | RJA2500-V4-48 | Handle Lock Button | 1 |
| 49 | RJA2500-V4-49 | Handle Assembly | 1 |
| 50 | RJA2500-V4-RK | Repair Kit | 1 |

NOTE: It is our policy to continually improve products and as such we reserve the right to alter data, specifications and component parts without prior notice. There may be alternative versions of this product, please contact us should you require this information.

IMPORTANT: No liability is accepted for incorrect use of product. Spare parts must be fitted by a competent person

WARRANTY: Guarantee is 12 months from purchase date, proof of which will be required for any claim.

Sealey Group, Kempson Way, Suffolk Business Park, Bury St Edmunds, Suffolk. IP32 7AR



01284 757500



sales@sealey.co.uk



www.sealey.co.uk